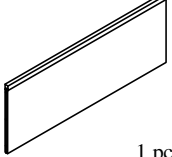
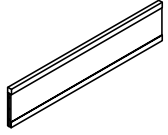
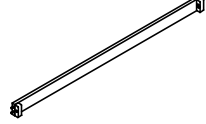
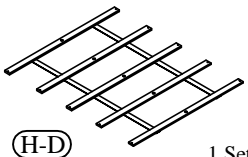
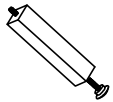






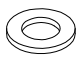
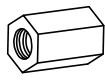

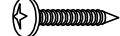
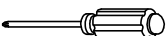



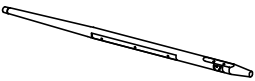
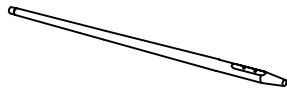
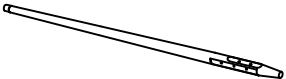
**Warning :**

- Be sure to check all packing material carefully for small parts, which may have come loose inside the carton during shipment.
- To prevent possible scratches and damage, this furniture **MUST BE ASSEMBLED BY TWO PEOPLE** on a soft surface such as a blanket or carpet.






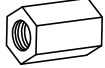

**Hardware and Parts packed with the Panel Headboard And Panel Footboard 83770**

<p>83770 Headboard Panel</p>  <p>(H-A) 1 pc.</p>	<p>83770 Footboard Panel</p>  <p>(H-B) 1 pc.</p>	<p>Headboard Stretcher</p>  <p>(H-C) 1 pc.</p>	<p>Wood Slat 61-1/4" long</p>  <p>(H-D) 1 Set.</p>	<p>Support Leg 7 3/4" x 1 1/4" x 1 1/4"</p>  <p>(H-E) 5 pcs.</p>	
<p>Allen Head Bolt ø5/16"-18 x 1-3/4"</p>  <p>(H-F) 2 pcs.</p>	<p>Spring Washer ø5/16"</p>  <p>(H-G) 14 pcs.</p>	<p>Flat Washer ø5/16" x 19*2mm</p>  <p>(H-I) 2 pcs.</p>	<p>Allen Key 5mm</p>  <p>(H-J) 1 pc.</p>	<p>All-Thread Bolt ø5/16-18 x 3-1/2"</p>  <p>(H-K) 12 pcs.</p>	
<p>Curved Washer ø5/16"</p>  <p>(H-L) 12 pcs.</p>	<p>Flat Washer ø5/16" x 16*2mm</p>  <p>(H-M) 12 pcs.</p>	<p>Nut ø5/16 x L17</p>  <p>(H-N) 12 pcs.</p>	<p>Open Wrench 12mm</p>  <p>(H-P) 1 pc.</p>	<p>Wood Screw #8 x 1"</p>  <p>(H-Q) 10 pcs.</p>	<p>Screw Driver not included</p> 

**Hardware and Parts packed with the Poster Bed Post 83771**

<p>83771 Headboard Post (Left)</p>  <p>(P-A) 1 pc.</p>	<p>83771 Headboard Post (Right)</p>  <p>(P-B) 1 pc.</p>	<p>83771 Footboard Post (Left)</p>  <p>(P-C) 1 pc.</p>	<p>83771 Footboard Post (Right)</p>  <p>(P-D) 1 pc.</p>
-------------------------------------------------------------------------------------------------------------------------------------------	--------------------------------------------------------------------------------------------------------------------------------------------	--------------------------------------------------------------------------------------------------------------------------------------------	----------------------------------------------------------------------------------------------------------------------------------------------

**Hardware and Parts packed with the Bed Rail 83772**

<p>Panel Bed Rails 83772</p>  <p>(R-A) 2 pcs.</p>	<p>All-Thread Bolt ø5/16-18 x 3-1/2"</p>  <p>(R-B) 8 pcs.</p>	<p>Curved Washer ø5/16"</p>  <p>(R-C) 8 pcs.</p>	<p>Flat Washer ø5/16" x 16*2mm</p>  <p>(R-D) 8 pcs.</p>	<p>Spring Washer ø5/16"</p>  <p>(R-E) 8 pcs.</p>	<p>Nut ø5/16 x L17</p>  <p>(R-F) 8 pcs.</p>
<p>Open Wrench 12mm</p>  <p>(R-G) 1 pc.</p>					

Queen Bed

83770 -- Queen Poster bed Headboard - Footboard Panels

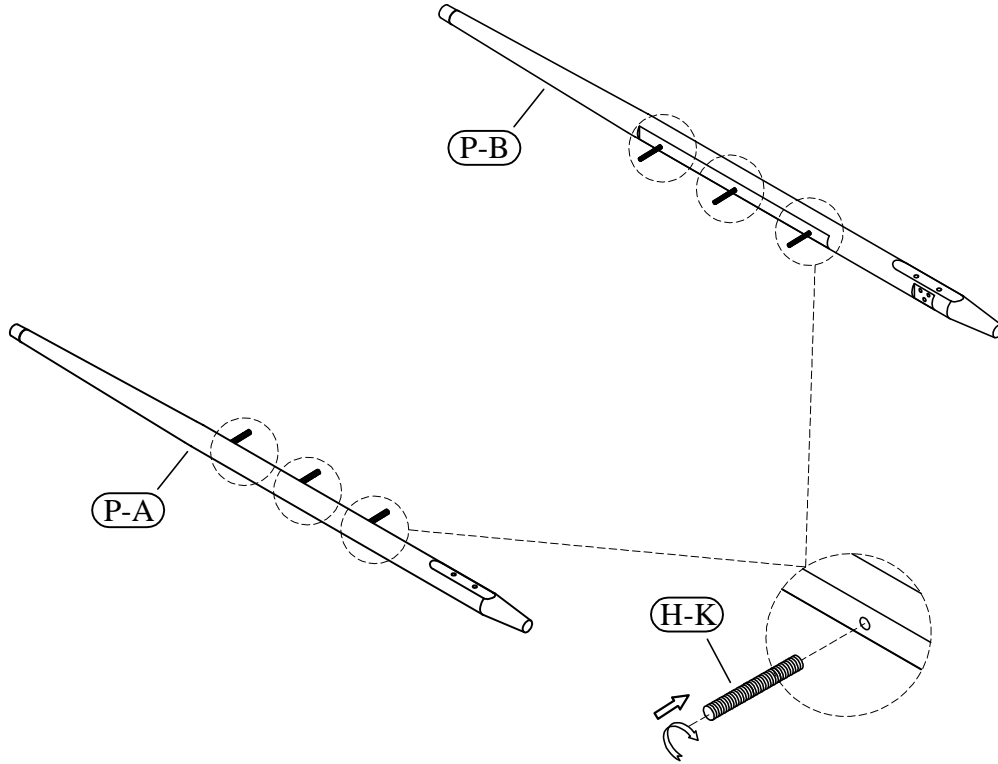
83771 -- Queen - King Poster Bed Post

83772 -- Queen - King Poster Bed Rails

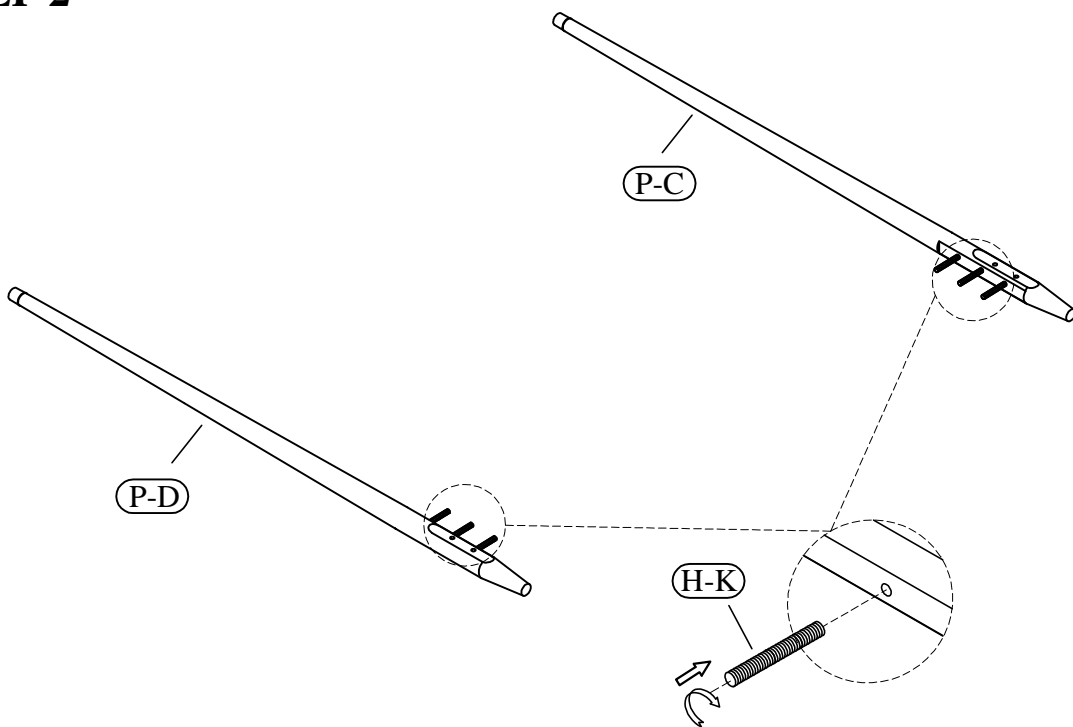
5/0 Queen Bed

83771 -- Queen - King Poster Bed Post

**STEP 1**



**STEP 2**

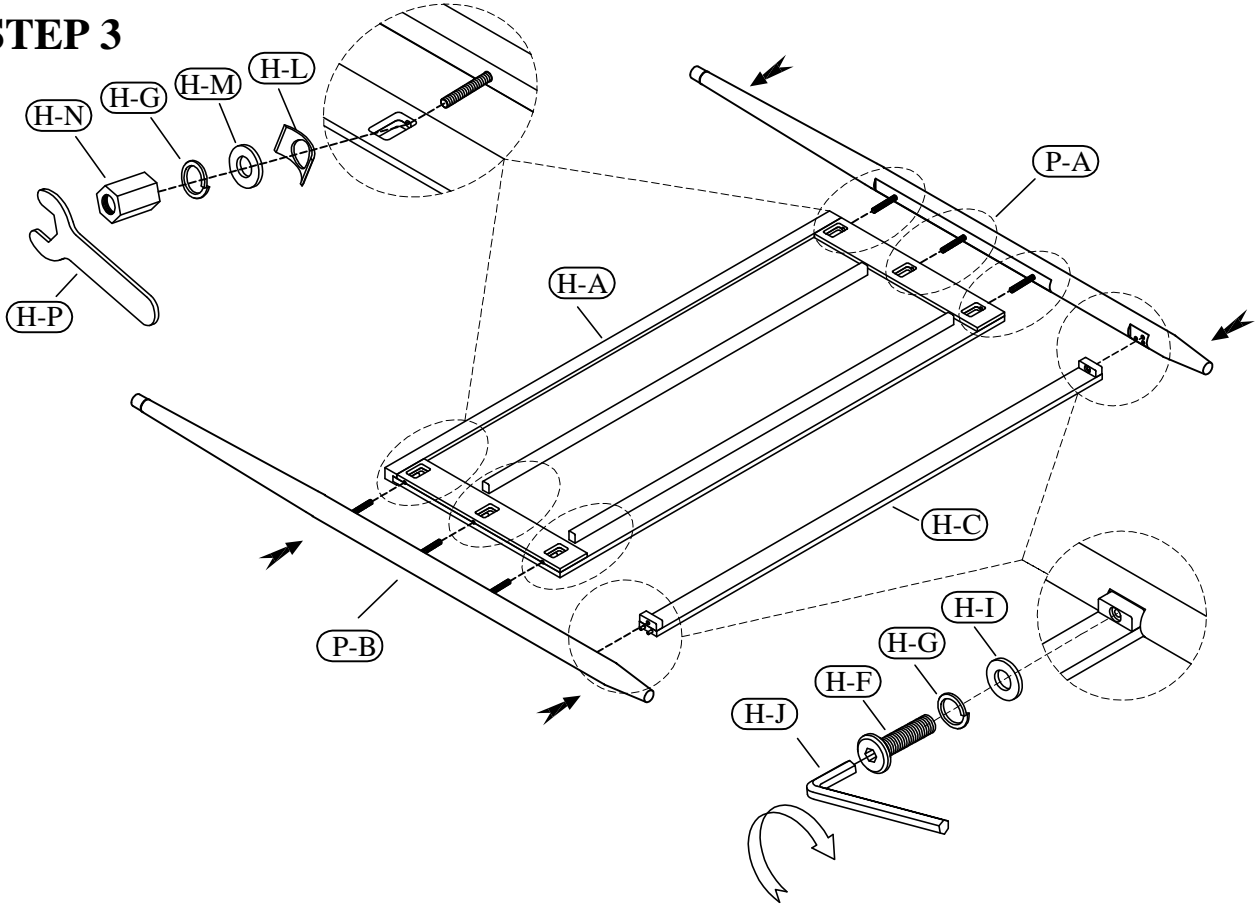


5/0 Queen Bed

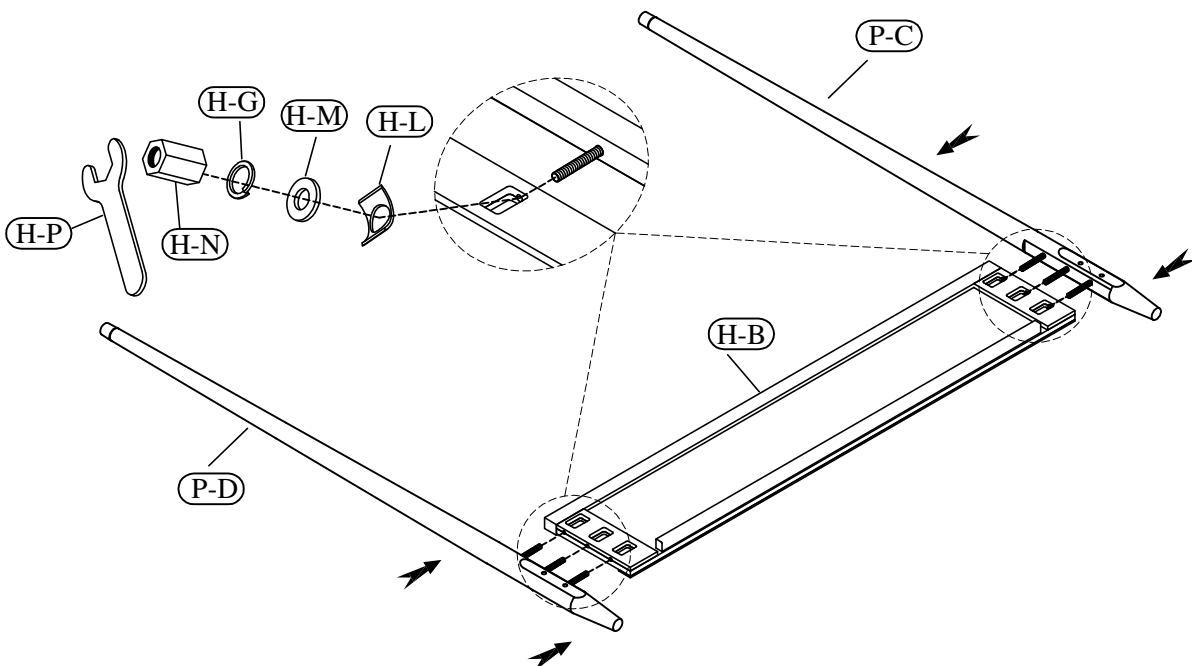
83770 -- Queen Poster bed Headboard - Footboard Panels

83771 -- Queen - King Poster Bed Post

**STEP 3**



**STEP 4**

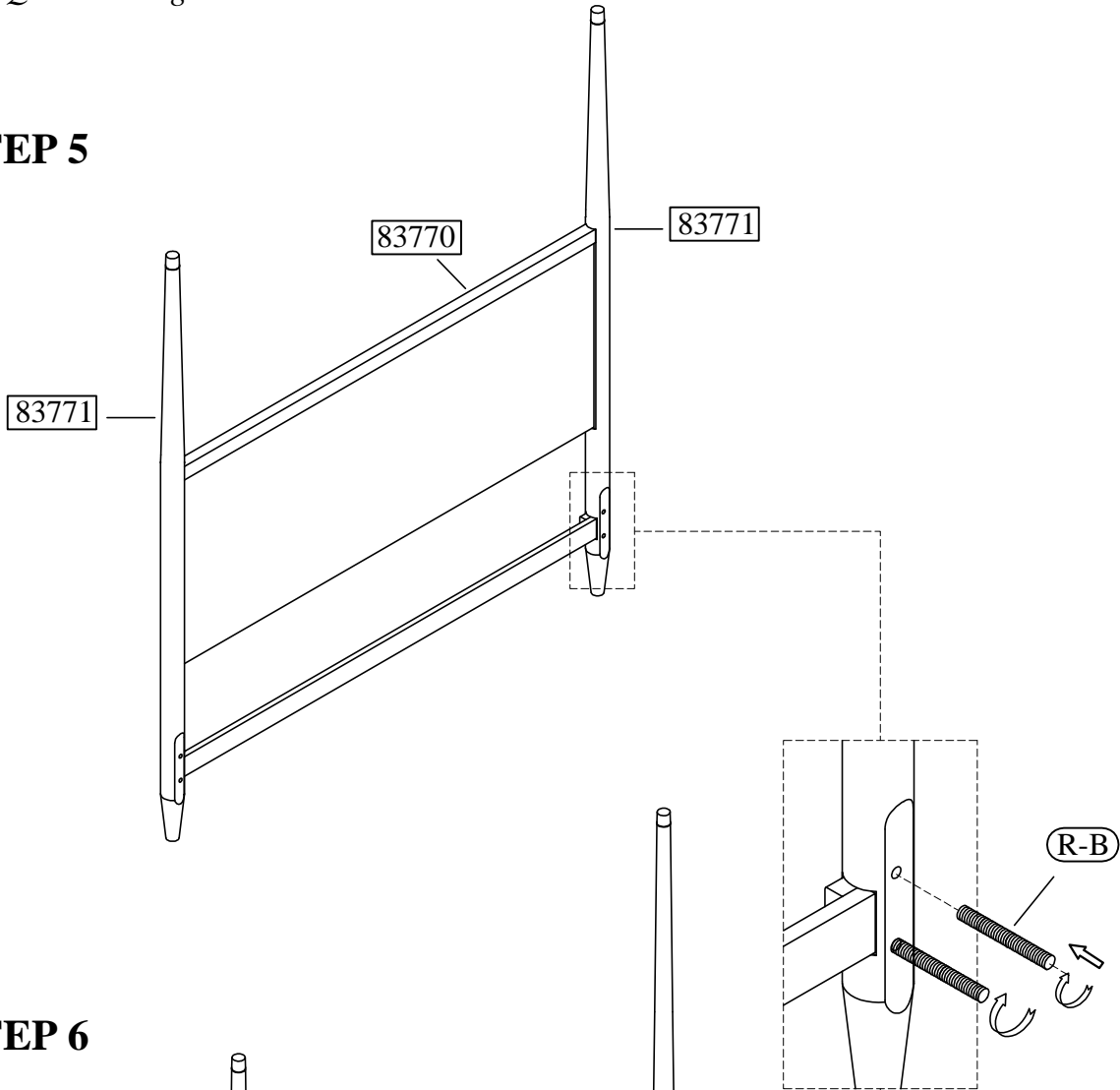


5/0 Queen Bed

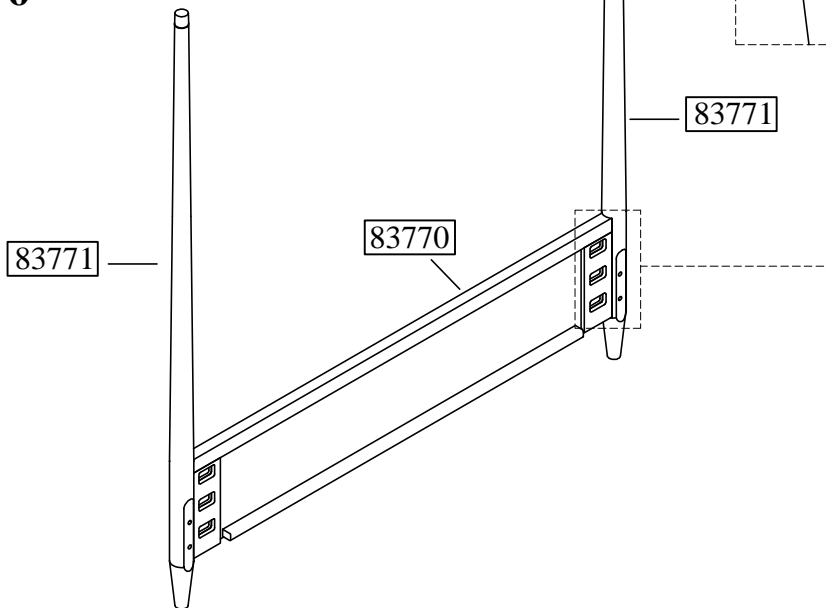
83770 -- Queen Poster bed Headboard - Footboard Panels

83771 -- Queen - King Poster Bed Post

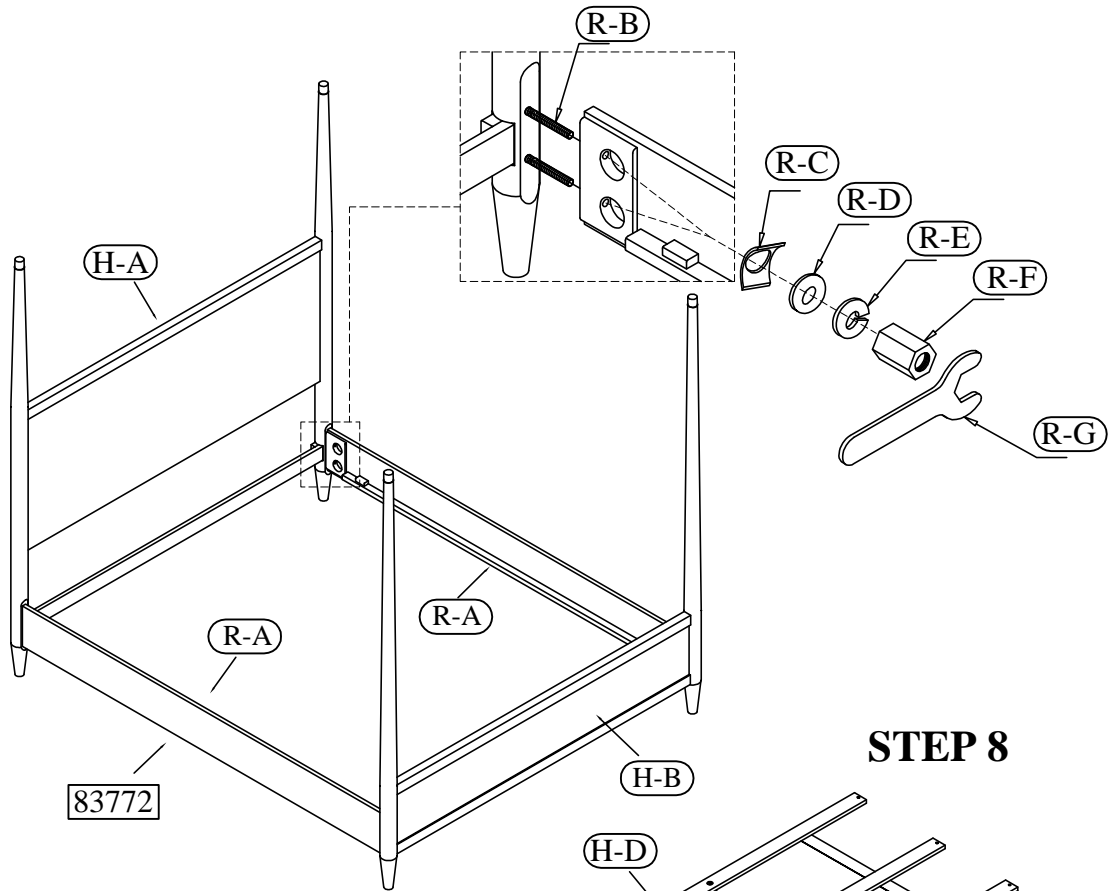
**STEP 5**



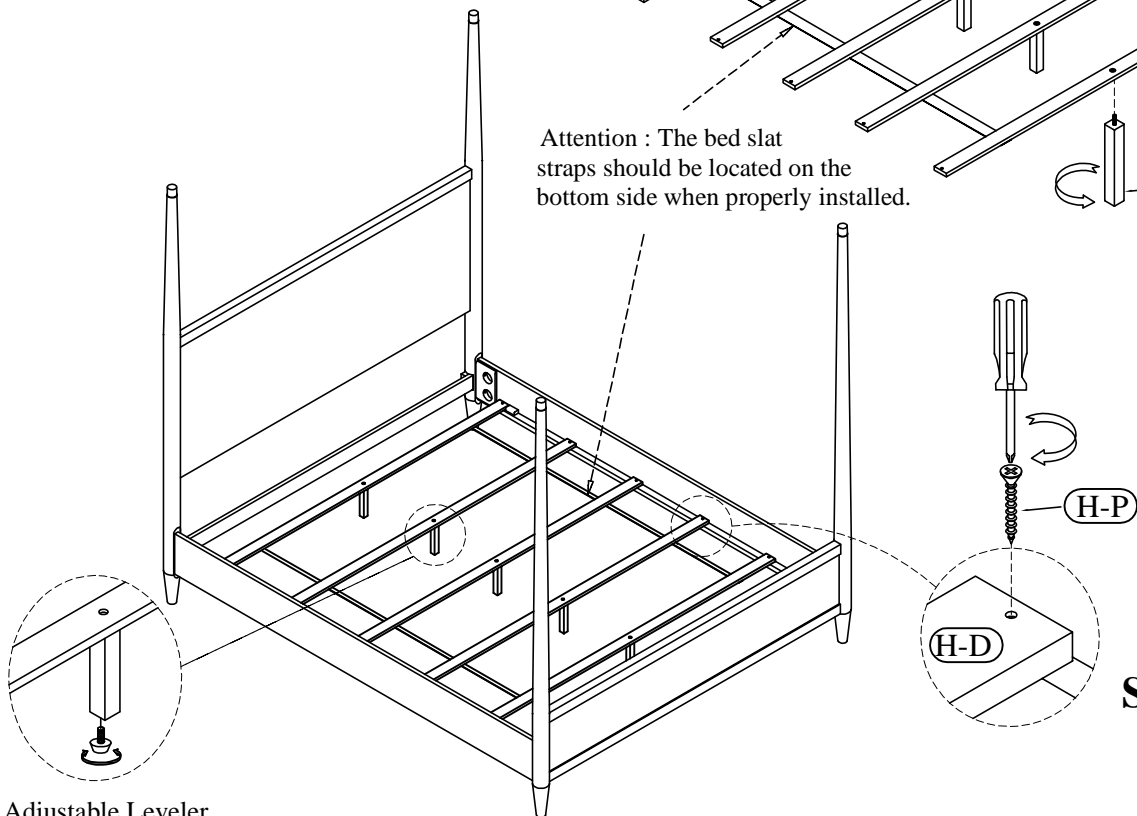
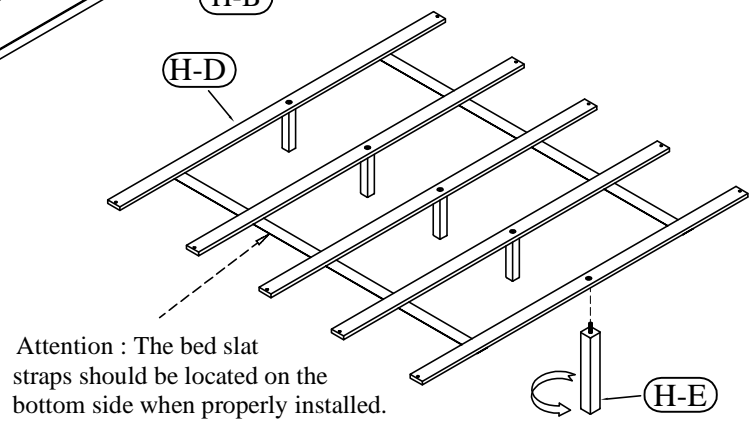
**STEP 6**



**STEP 7**



**STEP 8**



**STEP 9**